

# mater familias.cal 1139



## Model Code F2580

date of issue 18-03-19 revision 00  
revision of 02-09-20 (the present replaces any previous versions)

**Designer:** centro studi interno

**Structure:** pinewood, beech-wood, multilayer and plywood covered with polyurethane foam.

**Spring system:** elastic webbing.

**Seat Padding:** seat cushions in ecological polyurethane foam coupled with a memory foam layer covered with 100% polyester layer.

**Back Padding:** back cushions in micromax and a polyurethane foam support.

**Arm Interior:** in micromax.

**Removability:** not available. Loose back and seat cushions.

**Sewing:** leather coverings feasible with contrast stitching in the colors available; cuts and sewing vary on microfiber (or fabric) coverings. The model features a decorative stitch (embroidery stitch n°1 \_ 2 aghi/needles).

**Standard feet:** the model is lifted 20.5 cm off the floor. Metal PM2079 on armrest sides, PM 2082 on end sides with brown bronze finish, also available with copper, matt black or champagne color finish.

**Optional versions:** roll (750) in polyurethane foam, pillow (661) and 90° pillow (109) in micromax.

**Please note:** easy chair and RHF/LHF day bed versions display different aesthetic features if compared with other versions. RHF/LHF day bed\_a version (J98/J99) displays a red tone "multi color" cover with a rose colored stitching. The model is not available with covers in fabric NEW VELVET.

### Density of seat and back

| Markets          | Seat              | Back                               |
|------------------|-------------------|------------------------------------|
| I                | 35 Medium         | microm + inserto 35                |
| D - NL - CH      |                   |                                    |
| USA - California |                   |                                    |
| GB               | 37 fire retardant | microm + inserto 35 fire retardant |
| Others           | 35 Medium         | microm + inserto 35                |

Note: when no values/contents are specified in the chart, please refer to 'Others' field/area.

### Coverings

|                       | suggested | not suggested | not possible |
|-----------------------|-----------|---------------|--------------|
| thick leathers        | ✓         |               |              |
| thin elastic leathers | ✓         |               |              |
| natural leathers      | ✓         |               |              |
| fabric*               | ✓         |               |              |
| microfibre*           | ✓         |               |              |
| leather + split       | ✓         |               |              |
| DeLuxe                |           |               | ✓            |
| multi colour          | ✓         |               |              |
| multi-category        | ✓         |               |              |
| multi covering        | ✓         |               |              |

Please note: for not removable models, only one colour fabric covers are available.

\*fabrics and microfibers are not available for the U.K. market

the model is available in single color in leather, fabric or microfiber or in Multicolor (see last page): 1st col. in fabric or microfiber on outer frame (edges, lateral sides and back sides). 2nd col. in fabric or microfiber on cushions (seat cushions, back cushions and armrests). The model is also available in Multicovering (see last page): 1st cov. in leather, fabric or microfiber on outer frame (edges, lateral sides and back sides). 2nd cov. in fabric or microfiber on cushions (seat cushions, back cushions and armrests). Day bed\_a version (code J98/J99) can be produced only with the partitioning color scheme indicated by the company. (see last page)

### Multicovering / Components / Optional vers.



1139\_m

1139\_P

### Feet



PM2079

PM2082

### Ottoman

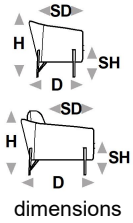



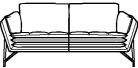


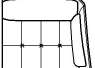
With the reservation of carrying for production purposes and without advanced notices modifications on the materials, coverings and dimensions of the product as indicated in the relevant specification. The given dimensions and volume are of indicative value being subject to the production process tolerances.

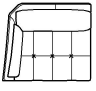
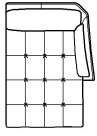
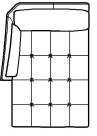
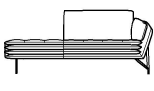
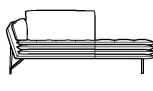
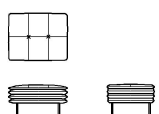
↑ fold following the dotted line ↑

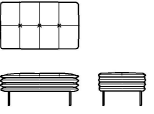

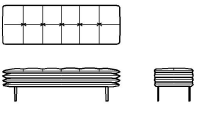
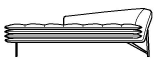
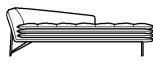
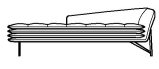
# mater familias.cal 1139

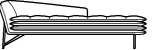

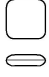

L Length - H Height - D Depth - SH Seat Height - SD Seat Depth  
 Dimensions refer to maximum sizes of the version with closed mechanism (where available).



|   |   |   |   |   |
|---|---|---|---|---|
|  |  |  |  |  |
| L 80<br>H72 D68 SH44 SD55   | L 175<br>H82 D93 SH44 SD55  | L 200<br>H82 D93 SH44 SD55  | L 225<br>H82 D93 SH44 SD55  | L 113<br>H82 D93 SH44 SD55  |
| E24   | 200   | 240   | 300   | 114   |
| easy chair  | 2 seater  | 2 1/2 seater  | 3 seater  | rhf maxi chair  |

|   |  |  |   |   |   |
|---|--|--|---|---|---|
|  |  |  |  |  |  |
| L 113<br>H82 D93 SH44 SD55  | L 113<br>H82 D153 SH44 SD115   | L 113<br>H82 D153 SH44 SD115   | L 187<br>H82 D93 SH44 SD55  | L 187<br>H82 D93 SH44 SD55  | L 75<br>H44 D60 SH- SD-   |
| 124   | 601  | 602  | 451   | 461   | 635   |
| lhf maxi chair  | maxi chaise<br>lon.rgt arm fac.  | maxi chaise<br>lon.lft arm fac.  | 1 right arm<br>facing dormeuse  | 1 left arm facing<br>dormeuse   | rectangular<br>ottoman  |

|   |   |   |   |   |   |
|---|---|---|---|---|---|
|  |  |  |  |  |  |
| L 100<br>H44 D60 SH- SD-  | L 50<br>H44 D50 SH- SD-   | L 150<br>H44 D50 SH- SD-  | L 189<br>H66 D89 SH44 SD77  | L 189<br>H66 D89 SH44 SD77  | L 189<br>H66 D89 SH44 SD77  |
| 641   | 795   | 956   | J98   | J99   | J73   |
| rectang.ottoman<br>maxi   | round ottoman   | bench   | rhf day bed_a   | lhf day bed_a   | rhf day bed   |

|   |   |   |   |
|---|---|---|---|
|  |  |  |  |
| L 189<br>H66 D89 SH44 SD77  | L 16<br>H16 D55 SH- SD-   | L 50<br>H50 D14 SH- SD-   | L 50<br>H50 D8 SH- SD-  |
| J74   | 750   | 661   | 109   |
| lhf day bed   | bolster   | pillow  | 50x50 90° pillow  |

↓ fold following the dotted line ↓

# mater familias.cal 1139

## Model Code F2580

date of issue 18-03-19  
 revision 00 of 02-09-20  
 (the present replaces any previous versions)

Multicolor (different colors belonging to the same material)  YES  NO

Multicover (combination of different materials)  YES  NO

1st color  SPLIT  LEATHER  FABRIC  MICROFIBER

2nd color  SPLIT  LEATHER  FABRIC  MICROFIBER

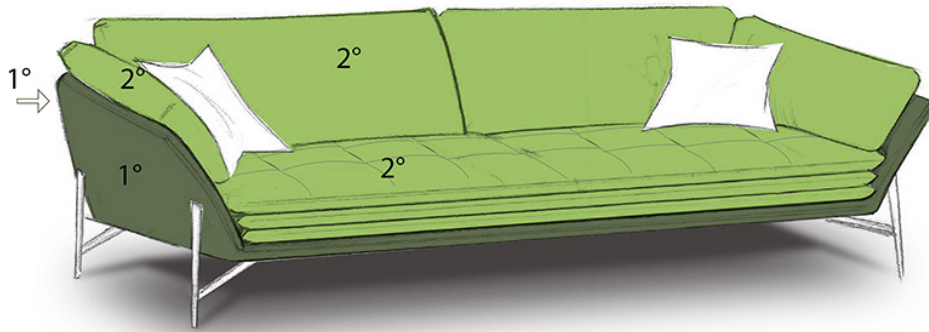
3rd color  SPLIT  LEATHER  FABRIC  MICROFIBER

1st cover  SPLIT  LEATHER  FABRIC  MICROFIBER

2nd cover  SPLIT  LEATHER  FABRIC  MICROFIBER

3rd cover  SPLIT  LEATHER  FABRIC  MICROFIBER

Multicategory (different categories belonging to the same material)  YES  NO



MATER FAMILIAS SCHEMA DAY BED 1B.\_A

Realizzabile unicamente in multicolore come segue:

Multicolore (più colori di uno stesso articolo)  SI  NO

Multirivestimento (abbinamento di articoli diversi)  SI  NO

1° colore  CROSTA  PELLE  TESSUTO  MICROFIBRA

2° colore  CROSTA  PELLE  TESSUTO  MICROFIBRA

3° colore  CROSTA  PELLE  TESSUTO  MICROFIBRA

4° colore  CROSTA  PELLE  TESSUTO  MICROFIBRA

1° rivestimento  CROSTA  PELLE  TESSUTO  MICROFIBRA

2° rivestimento  CROSTA  PELLE  TESSUTO  MICROFIBRA

3° rivestimento  CROSTA  PELLE  TESSUTO  MICROFIBRA

