

# SCRIGNO hinged door

SC

## MODULARITY OF SCRIGNO FRAMED DOOR

Width of module with single door: 425 - 475 - 575

Width of module with double door: 875 - 975 - 1175

## GLASS FINISHES (thickness 4 tempered)

- Transparent smoked grey
- Satin smoked grey
- Resin fabric

## FRAME FINISHES (aluminium)

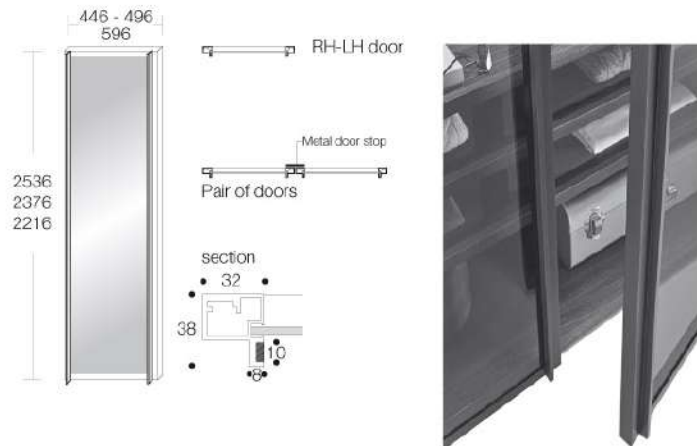
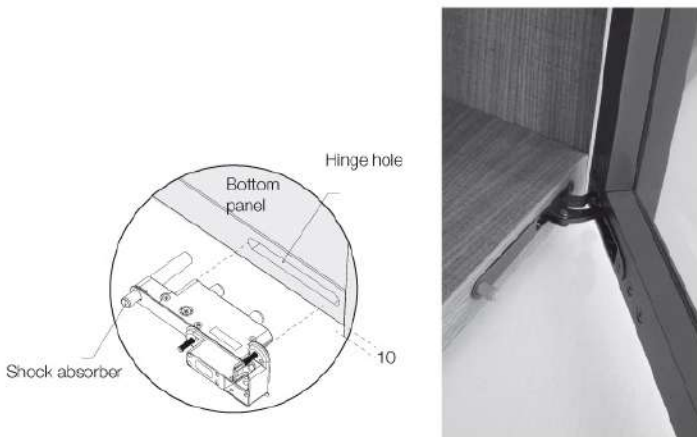
EPOXY PAINTED

- Brown - Titanio

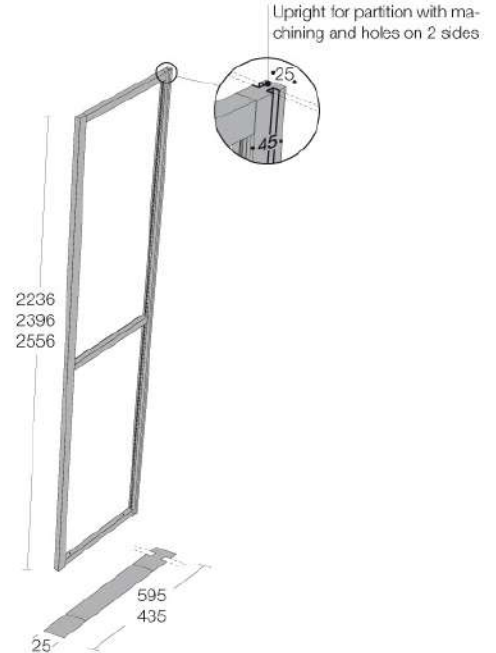
## HINGE FOR SCRIGNO DOOR

Scrigno doors have a dedicated hinge with soft-closing mechanism incorporated into the top panel and bottom of the wardrobe module.

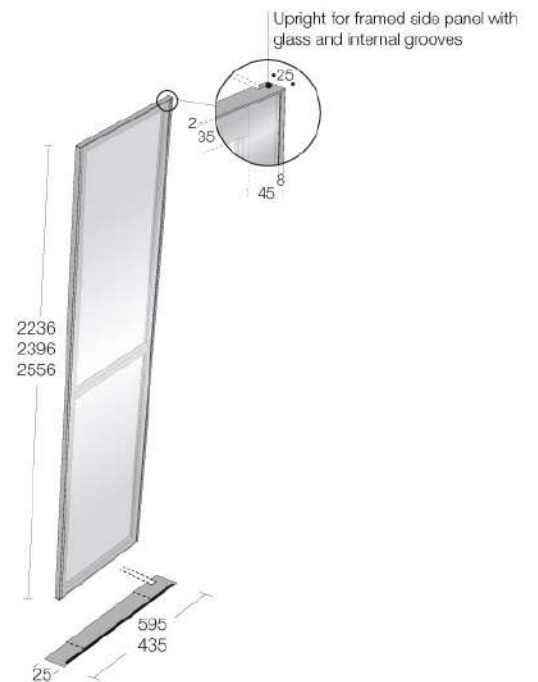
**Can be used with full partitions, partitions and frame end panels**



## SCRIGNO FRAME PARTITION



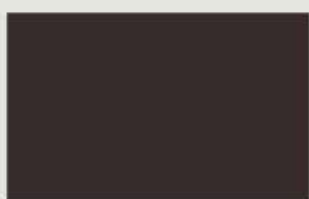
## SCRIGNO GLASS FRAME SIDE PANEL



## PROFILO TELAIO



Piombo



Brown

## FINITURA DEI VETRI:



Vetro fumè trasparente



Vetro fumè satianto



Vetro con tessuto  
resinato

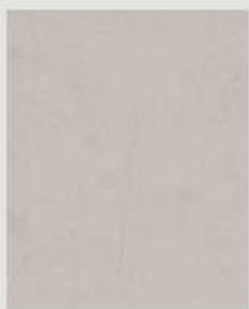
---

## FINITURA INTERNA ARMADIO - Wardrobe internal finishes

### MATERICI - Melamine

(fianco interno - divisioni - coperchi - fondi - schiene - ripiani e cassettiere interne):

(Internal side panel - partition - upper panel - botton panel - back panel)



Loto natura



Loto tortora



Loto terra



Olmo medio



Olmo scuro



Tramato Lino