

# Gallotti&Radice



## Stami

2022

Desk and vanity desk with curved black open pore stained ash base and bright brass details. Wooden structure covered by leather or suede as per samples. Black open pore stained wooden opening top and internal compartment equipped with leather or suede pad coordinated with the external upholstery. Opening top with magnetic board (desk) or with mirror (vanity). Also available version with side drawers. Additional stitching is required for elements with leather upholstery.

Cm (L x W x H)

Scrivania / Desk

140 x 60 x 76

Vanity / Vanity desk

140 x 60 x 76

Porta-oggetti per vanity desk / Organiser for vanity desk

65 x 34 x 2

Inches (L x W x H)

Scrivania / Desk

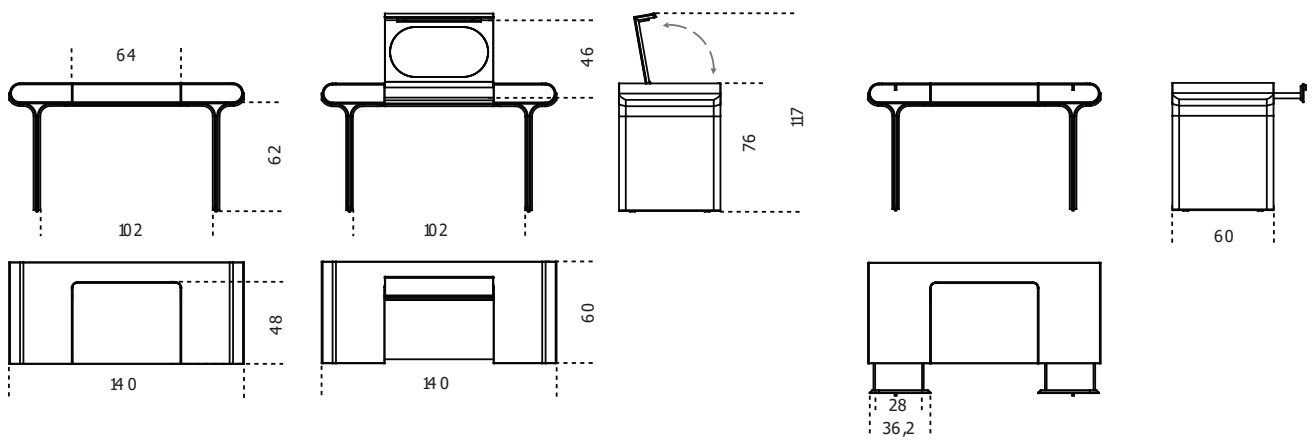
55¼ x 23¾ x 30

Vanity / Vanity desk

55¼ x 23¾ x 30

Porta-oggetti per vanity desk / Organiser for vanity desk

25¾ x 13½ x 1



Versione con cassetti laterali  
Version with side drawers



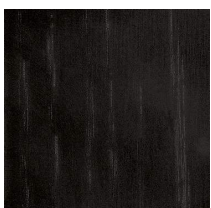
## Finishings

### Metal



Bright brass

### Wood



Black stained  
open pore ash

### Leather Cat.L1



Fard anthracite  
2379

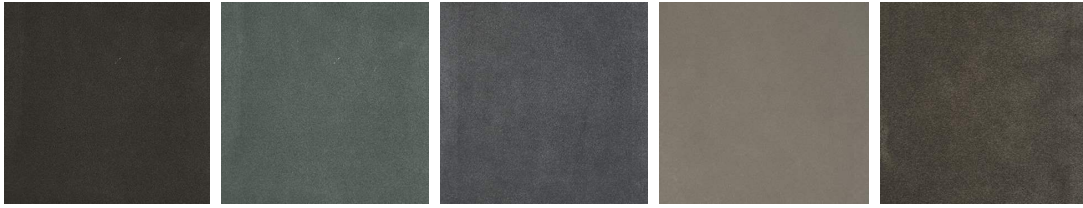
Fard loden green  
2357

Fard milk 2300

Fard silt 2324

Fard silver 2302

Fard slate 2386



Suede grey 020

Suede grey 058

Suede grey 074

Suede sand 006

Suede sand 012

## **Leather Cat.L2**



Leather black  
001

Leather clay 008

Leather milk 010

Leather rose  
powder 012

Leather tobacco  
013